

LITHIUM POLY LINE

Lithium-Polymer Battery LP 605365

Dimensions (mm)

Length	Max. 65.0 (without Tabs)
Width	Max. 53.0
Thickness	Max. 6.0 (delivery status) Max. 6.6 (after cycling)
Tab Distance	30±2
Tab Length	4.0 ±0.5
Tab Width	4.0 ±0.2
Top Sealing Width	3.0 ± 0.5

Weight, approx. (g) 41

Electrical Parameter:

Nominal Voltage (V)	3.7 (average)
Typical capacity (mAh)	2550 (0.2C at 20°)
Minimum capacity C (mAh)	2500 (0.2 at 20°C)

Impedance initial (mΩ) <65 at 1kHz at 4.2V

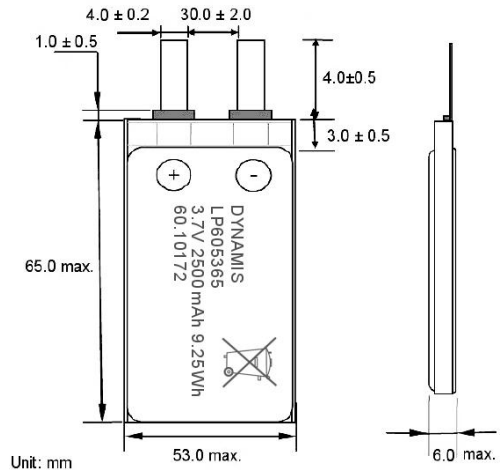
Max. Charge (mA)	2500
Max. Charge Voltage (V)	4.20
Max. cont. Discharge (mA)	2500
Discharge Cut off (V)	3.00

Charging Method CCCV Standard (0.2C) = 500 mA CC to 4.20 V, then CV 4.2 V for 2.0 h or 50 mA cut-off,
CCCV Quick (1.0C) = 2500 mA CC to 4.20 V, then CV 4.2 V for 2.0 h or 50 mA cut-off

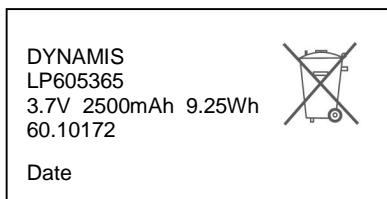
Life expectancy 0.5C/0.5C, 300 >80% of initial capacity
(20°C Cycles)

Operating temperature (°C) Charge: 0 to 45
Discharge: -20 to 60

Storage temperature 12 month at -20 to +20°C



Printing on the cell



Safety Parameter

Overcharge 1C 4.8V	No fire, no explosion
Overdischarge 300Ω 24h	No fire, no explosion
Short Circuit <100mΩ	No fire, no explosion
Heating 130°C 10 min.	No fire, no explosion

The information (subject to change without notice) contained in this document is for reference only and should not be used as a basis for product guaranty or warranty. For applications other than those described here, please consult your nearest DYNAMIS Sales or Marketing Office or Distributors.